

# The Pinnix Group

The Pinnix Group is a custom design, build, and manufacturing company of process equipment.

We successfully partner with clients to provide high volume manufacturing equipment that requires exact repeatable processes with tight tolerances.

We are a complete turnkey systems provider. We also develop prototypes, provide maintenance related upgrades, and implement worker wellness safety improvements.

We provide custom design and project management experience with proven techniques and tools to effectively maintain a balance of safety, cost, and schedule. This business template is used throughout design, testing, production and operations.



The Pinnix Group is licensed and insured and holds an unlimited equipment installation license.

We provide ongoing service for systems we design, integrate, or modify.

We value the trust and long term relationships we build with our customers and welcome the opportunity to support your organization at any level.

### Customers

Toyota	Bodine Aluminum
Honda	Federal Mogul
Nissan	AIDT
Subaru	PPG



### **The Pinnix Group, Inc.**

P.O. Box 10016  
Huntsville, Alabama 35801  
2303 Washington Circle  
Huntsville, Alabama 35811

Phone: 256-534-4600

Fax: 256-534-8192

Email: [joe.pinnix@pinnixgroup.com](mailto:joe.pinnix@pinnixgroup.com)

# The Pinnix Group



## Design

## Build

## Install

## Support

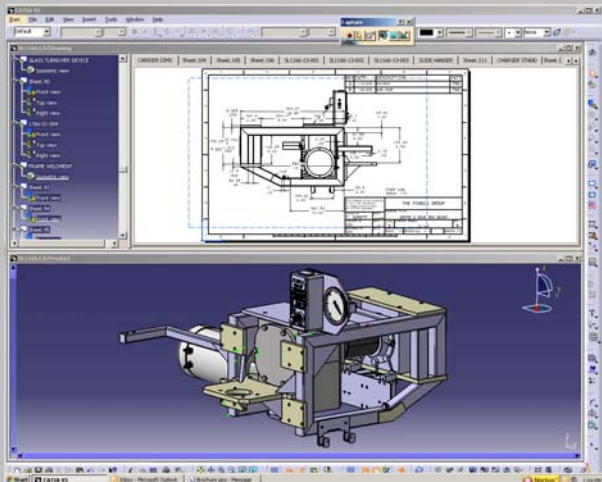
## Engineering

The Pinnix Group designs for operability and maintainability with attention to safety. We provide an operations perspective to the design and development of tools and processes in order to maximize their effectiveness during operations.

Superior engineering and consistent on-time delivery make The Pinnix Group a leader in custom design services, providing innovative solutions that offer greater competitive advantages for our customers nationwide.

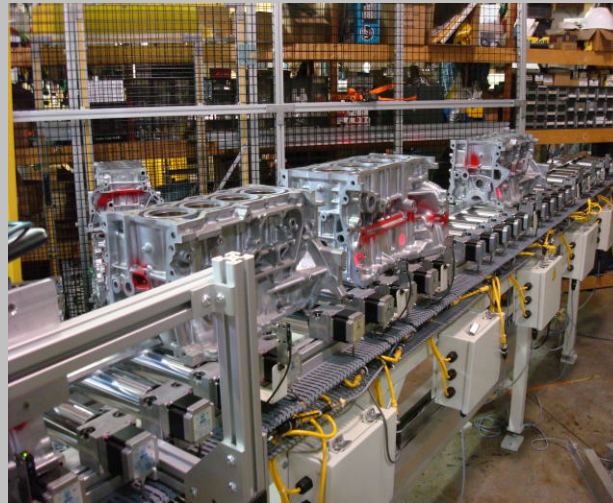
## Custom Design

The Pinnix Group's custom design and CAD services offer multiple software packages including: CATIA, Pro E, AutoCAD, and Unidraf.



## Mechanical

Our shop replicates the customer's environment to test the manual and automated systems that we build prior to delivery and installation at their facility. This helps us provide the least intrusive impact to our customers and allows them to be up and running much sooner.



The Pinnix Group has full machine shop capabilities including CNC and welding.



## Electrical

The Pinnix Group has full capabilities with all aspects of controls. We design custom control panels and integrate robots, vision systems, and wireless devices.



Our electrical specialists have expertise in programming Allen Bradley, FANUC Robotics, Mitsubishi, Motoman Robotics, Omron, and Toyopuc.