

Design

Manufacture

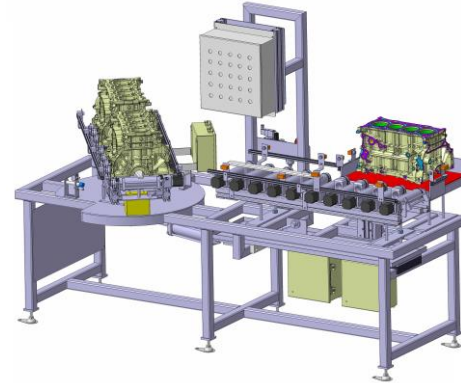
Automate

Integrate

The PINNIX Group focuses on **Quality, Value, & Rapid Response**. With a thorough understanding of the production process we use **Model Based Design** & years of **Industry Experience** to provide Commercial & Government Contracted manufacturers with unique & visionary solutions. Our range of **Design & Manufacturing** capabilities allows us to deliver **Prototypes** through **Turnkey Machines**, including Short Run Manufacturing, Precision Small Parts, & Custom Tooling.

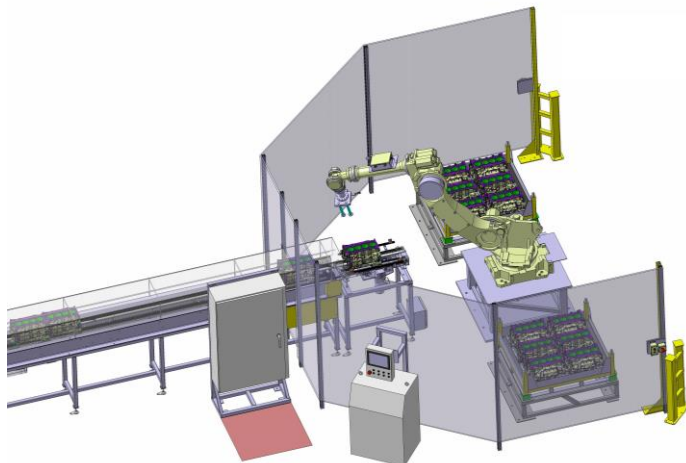
PINNIX IS:

- A Reliable and Trusted business since 1997
- Efficient & Affordable Value Engineering
- SBA Certified Economically Disadvantaged Woman Owned Small Business (EDWOSB) 8(m)
- Headquartered in Huntsville, Alabama



PINNIX BUILDS:

- Concept Analysis and Design Development
 - 3D Model-Based Design
 - Mechanical Engineering
 - Controls & Automation Engineering
 - Process Optimization & Lean Concepts
 - Pneumatic & Hydraulic Systems
 - Project Management
 - Robotic System Design
 - PLC and HMI Programming
 - Electrical & Mechanical Drawings
 - Systems Design & Integration
 - Prototype Development, Testing, & Evaluation
 - Training & Installation Support
- Custom Automated Machinery
 - Tooling
 - Jigs & Fixtures
 - Control Panels
 - Custom Wire Harnesses
 - Safety Cells & Equipment Guarding
 - Transport Equipment
 - CNC Machining
 - Small Run Manufacturing
 - Aluminum, Steel & Composite Assemblies
 - Welded Assemblies
 - Custom Molds & Patterns



POINT OF CONTACT:

- Travis Pinnix
VP, Operations & Business Development

256.534.4600 (Office)
256.755.1898 (Mobile)
travis.pinnix@pinnixgroup.com

DESCRIPTION OF SERVICE	NAICS CODE
Engineering Services	541330
Drafting Services	541340
Industrial Design Services	541420
All other Industrial Machinery Manufacturer	333249
All Other Miscellaneous General Purpose Machine Manufacturing	333999
Conveyor & Conveying Equipment Manufacturing	333922
Special Die & Tool, Die Set, Jig & Fixture Manufacturing	333514
Machine Shops	332710
All other miscellaneous Fabricated Metal Product Manufacturing	332999
Industrial Mold Manufacturer	333511
Commercial & Industrial Machinery & Equipment Repair & Maintenance	811310

ADDITIONAL COMPANY INFORMATION:

- DUNS #013190728
- CAGE Code 5AJ34
- SAM Registered
- DCAA Compliant
- AL Contractor's License '98 – Present
- TN Contractor's License – '13 - Present
- MS Contractor's License – '14 - Present

MEMBERSHIP ORGANIZATIONS:

- Alabama Aerospace Industry Association (AAIA) 2012 - Present
- Chamber of Commerce Huntsville/Madison County 2009 - Present
- Huntsville Area Aerospace Marketing Association (HAAMA) 2009 - Present
- Alabama Automotive Manufacturer's Association (AAMA) 2001 – Present